

DATASHEET

PART NUMBER

WESSF-32-12-3140

Wescon WESSF Slip/Fixed Renewable Drill Bushing - OD 1/2" - Length 3/4" - Size 0.3140in

Multi-purpose renewable drill bushings for use with liners.

WEBSITE

<https://www.wesconusa.com/products/WESSF-32-12-3140>



* The image represents the general look of the series. Actual product may vary based on options selected.

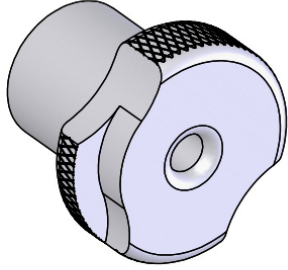
Wescon WESSF Slip/Fixed Renewable Drill Bushings are designed for long-lasting precision in high-volume production environments. These bushings are easily replaceable in a liner, reducing downtime and maintenance costs. Made from high-quality hardened steel, they provide excellent wear resistance and maintain tight tolerances. Ideal for use with Wescon Drill Guides and Drill Bars.

SPECIFICATIONS

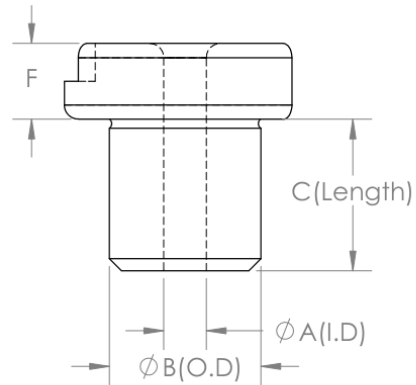
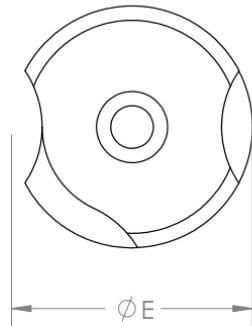
Measurement Type	Imperial
Size (ID)	0.3140in
Body Diameter (OD)	1/2"
Length	3/4"
Country of Origin	USA

ADDITIONAL IMAGES AND DRAWINGS

WESSF Series SF Drill Bushing



Order as P/N WESSF-OD-LENGTH-SIZE
See wesconusa.com for full list of available sizes and part numbers.



Part Number	Ø A (I.D) +0.0001 to +0.0004	Ø B (O.D) +0.00895	C (Length) ±1/64	Ø E ±1/64	F ±1/64	ANSI
WESSF-20-12	1/16 to #10	5/16"	3/4"	35/64"	1/4"	SF-20-12
WESSF-20-16	1/16 to #10	5/16"	1"	35/64"	1/4"	SF-20-16
WESSF-32-08	5/32 to 11/32	1/2"	1/2"	51/64"	1/4"	SF-32-08
WESSF-32-12	5/32 to 11/32	1/2"	3/4"	51/64"	1/4"	SF-32-12
WESSF-32-16	5/32 to 11/32	1/2"	1"	51/64"	1/4"	SF-32-16
WESSF-48-12	5/16 to 9/16	3/4"	3/4"	1 3/64"	1/4"	SF-48-12
WESSF-48-16	5/16 to 9/16	3/4"	1"	1 3/64"	1/4"	SF-48-16



Notes from our Engineering Team

- Hardened steel construction featuring a Male Knurling for quick and easy installation. Hardness shall be 61-65Rc.
- WESSF is most effective when paired with our WES5703/WES5720 Drill Guides or WES5800 Drill Bars



Part Number	WESSF
Slip Fixed Type Renewable Bushings	

Do not modify, copy, distribute, or reproduce this drawing without prior written authorization.

© 2025 Wescon Industries Inc.
601 Century Plaza Dr. Houston, TX 77073, US
www.wesconusa.com

Revision 00 All dimensions are in Inches Information in this drawing is provided for reference only

Image 1