

## DATASHEET

PART NUMBER

# WESSF-48-16-5000

### Wescon WESSF Slip/Fixed Renewable Drill Bushing - OD 3/4" - Length 1" - Size 1/2 (0.5000in)

Multi-purpose renewable drill bushings for use with liners.

WEBSITE

<https://www.wesconusa.com/products/WESSF-48-16-5000>



\* The image represents the general look of the series. Actual product may vary based on options selected.

Multi-purpose renewable drill bushings for use with liners.

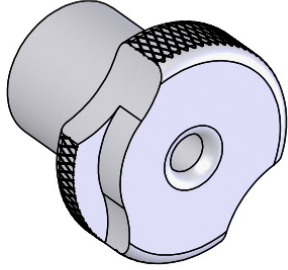
Wescon WESSF Slip/Fixed Renewable Drill Bushings are designed for long-lasting precision in high-volume production environments. These bushings are easily replaceable in a liner, reducing downtime and maintenance costs. Made from high-quality hardened steel, they provide excellent wear resistance and maintain tight tolerances. Ideal for use with Wescon Drill Guides and Drill Bars.

## SPECIFICATIONS

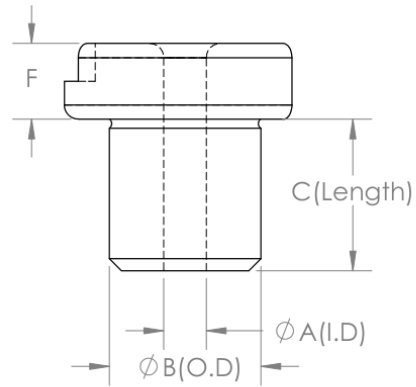
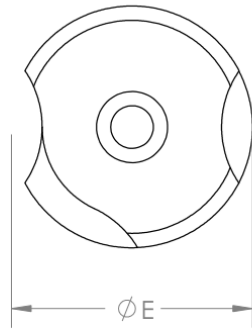
Measurement Type	Imperial
Size (ID)	1/2 (0.5000in)
Body OD	3/4"
Length	1"
Country of Origin	USA

**ADDITIONAL IMAGES AND DRAWINGS**

**WESSF Series SF Drill Bushing**



Order as P/N WESSF-OD-LENGTH-SIZE  
See wesconusa.com for full list of available sizes and part numbers.



Part Number	$\phi A$ (I.D) +0.0001 to +0.0004	$\phi B$ (O.D) +0.00895	C (Length) $\pm 1/64$	$\phi E$ $\pm 1/64$	F $\pm 1/64$	ANSI
WESSF-20-12	1/16 to #10	5/16"	3/4"	35/64"	1/4"	SF-20-12
WESSF-20-16	1/16 to #10	5/16"	1"	35/64"	1/4"	SF-20-16
WESSF-32-08	5/32 to 11/32	1/2"	1/2"	51/64"	1/4"	SF-32-08
WESSF-32-12	5/32 to 11/32	1/2"	3/4"	51/64"	1/4"	SF-32-12
WESSF-32-16	5/32 to 11/32	1/2"	1"	51/64"	1/4"	SF-32-16
WESSF-48-12	5/16 to 9/16	3/4"	3/4"	1 3/64"	1/4"	SF-48-12
WESSF-48-16	5/16 to 9/16	3/4"	1"	1 3/64"	1/4"	SF-48-16



**Notes from our Engineering Team**

- Hardened steel construction featuring a Male Knurling for quick and easy installation. Hardness shall be 61-65Rc.
- WESSF is most effective when paired with our WES5703/WES5720 Drill Guides or WES5800 Drill Bars



Part Number **WESSF**

Do not modify, copy, distribute, or reproduce this drawing without prior written authorization.

© 2025 Wescon Industries Inc.  
601 Century Plaza Dr. Houston, TX 77073, US  
www.wesconusa.com

Slip Fixed Type Renewable Bushings

Revision 00 All dimensions are in Inches Information in this drawing is provided for reference only

Image 1